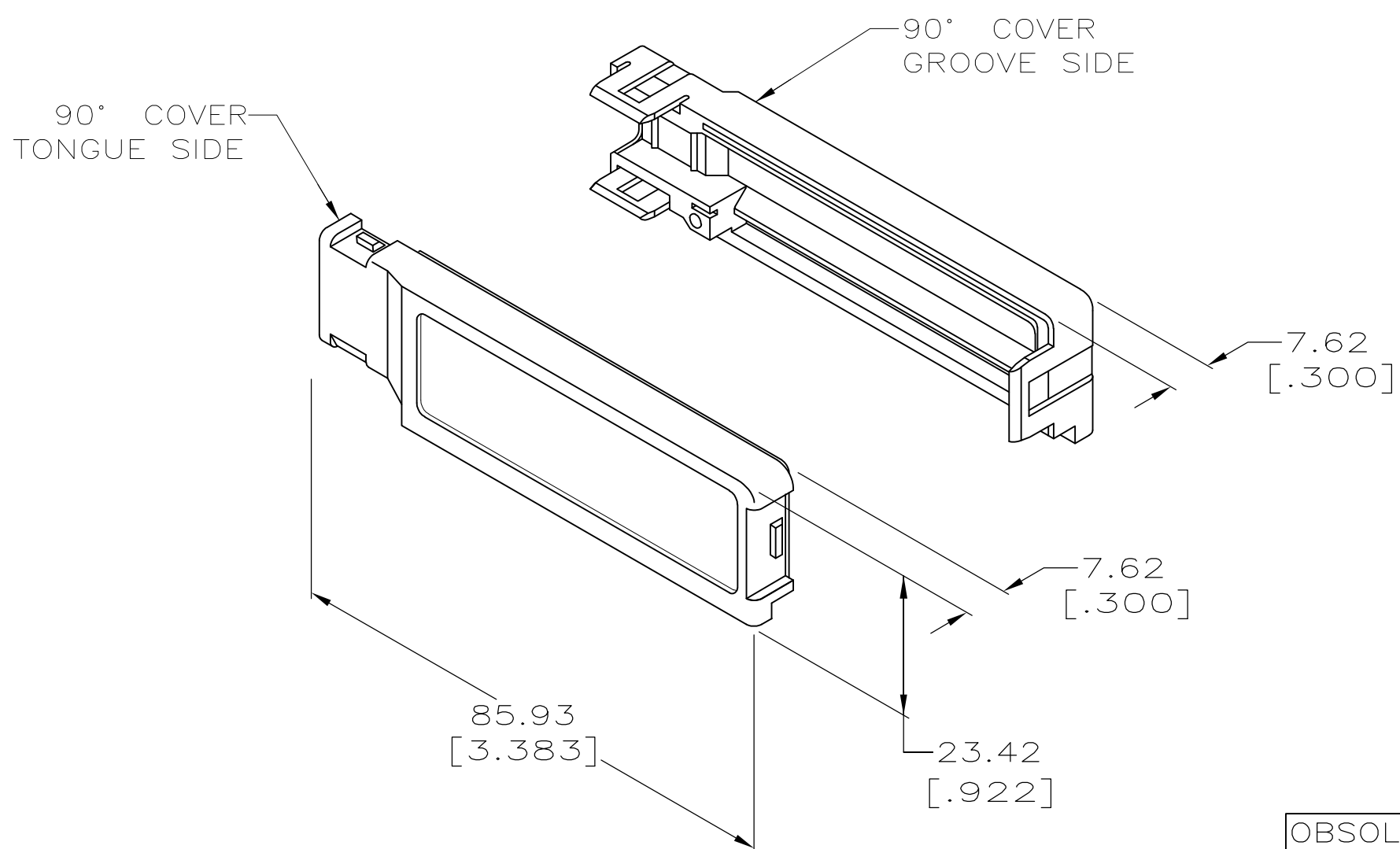


THIS DRAWING IS UNPUBLISHED. RELEASED FOR PUBLICATION
 © COPYRIGHT - By - ALL RIGHTS RESERVED.

LOC	DIST	REVISIONS					
AA	20	P	LTR	DESCRIPTION	DATE	DWN	APVD
		K1		REVISED PER ECO-11-005140	28MAR11	RK	HMR



1. DIMENSIONS SHOWN ARE FOR REFERENCE ONLY UNLESS OTHERWISE SPECIFIED.
2. COVERS SHIPPED NOT ASSEMBLED.
3. 100 KITS BULK PACKED.

OBSOLETE	ALMOND	8.00 - 10.54	1-552011-5
	BLACK	[.315 - .415]	1-552011-1
OBSOLETE	ALMOND	10.54 - 11.81	552011-5
	BLACK	[.415 - .465]	552011-1
	COLOR	CABLE RANGE DIAMETER	PART NUMBER

THIS DRAWING IS A CONTROLLED DOCUMENT.		DWN 22 APR 96 DL DRUMMOND	STE TE Connectivity	
DIMENSIONS: mm [INCHES]		CHK 09 MAY 96 D. AHERON		
TOLERANCES UNLESS OTHERWISE SPECIFIED:		APVD 09 MAY 96 M. HUGHES	NAME COVER KIT, 90 DEGREE, 50 POSITION, CHAMP®	
0 PLC ± -		PRODUCT SPEC	SIZE	
1 PLC ± -		APPLICATION SPEC	CAGE CODE	
2 PLC ± -		WEIGHT	DRAWING NO	
3 PLC ± -			RESTRICTED TO	
4 PLC ± -			A3 00779 C-552011	
ANGLES ± -			SCALE 1:1	
FINISH -			SHEET 1 OF 1	
MATERIAL POLYPHENYLENE OXIDE			REV K1	
		CUSTOMER DRAWING		